

MODEL SL-6000 SURFACE-MOUNTED SPEED-LIFT

5-Year Parts & 2-Year Labor Warranty w/ Evidence of Bi-Annual PM Checks

The SL-6000 from our Silver Line is suitable for loading/unloading trucks with hand carts, dollies, carts, and pallet jacks.

All lifts are custom-built according to each location's specific needs and layout. They're highly customizable and can be modified to go from truck to ground, truck to dock, dock to ground, truck to raised platform, etc.



Capacity: 6,000 pounds across the entire platform

Axle Capacity Ends: 6,000 pounds

Axle Capacity Sides: 6,000 pounds

Platform Sizes: A = 60" W x 84" L; B = 60" W x 96" L; C = 60" W x 120" L

Lowered Height: 3 5/8"

Motor Size: 5 HP

Cylinder Size: 5"

Travel Speed: 41.46 FPM or 7 seconds from truck to ground

Maximum Travel Height: 58"

Shipping Weight: 3,650 to 4,150 pounds

Speed-Lift Key Features & Benefits:

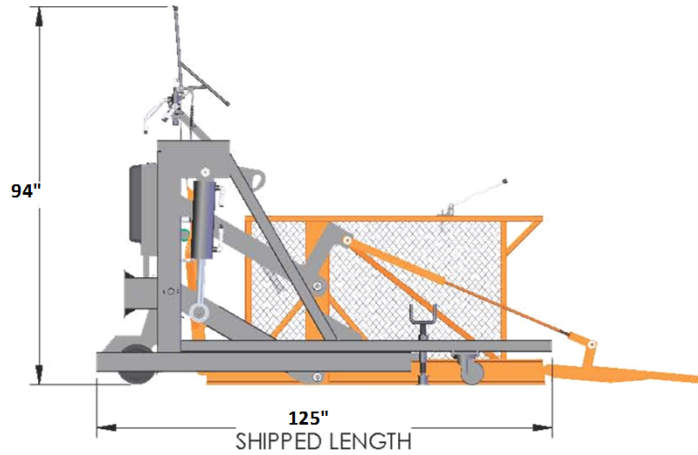
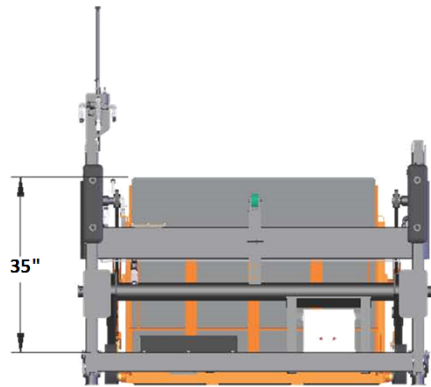
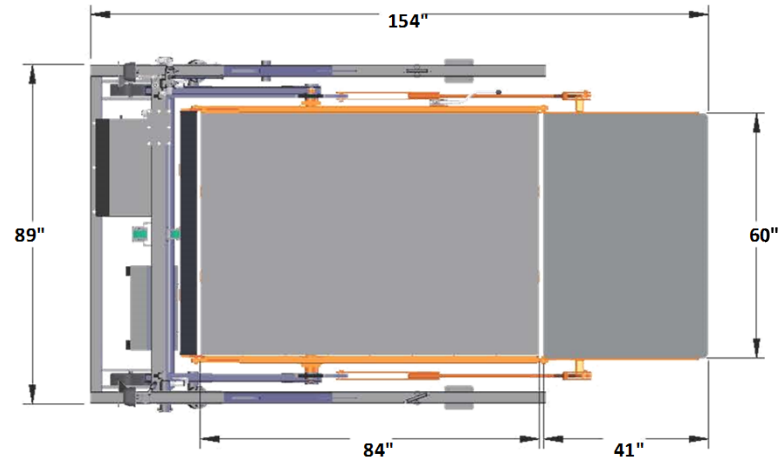
- All production is done in the **USA with proven COTS components**
- All electrical control boxes are **UL approved**
- All Speed-Lifts conform to **ANSI MH29.1** specifications
- All models have either patented **Automatic Folding Ramps or Safety Bars** instead of safety chains. These eliminate the need for employees to maneuver around loads to manually lift and lower heavy ramps, thus **greatly reducing the risk of finger injuries**
- All units are made with high-grade steel. The platform, ramp, and bridge are **non-skid diamond plate**
- Speed-Lifts **do not require pits**, drains, bollards, building permits, or other costly on-site infrastructure
- All Speed-Lifts have a steel construction including a 3-sided lift frame which, together with the hinged ramps, provides **360 degree toe and foot protection**
- The hydraulically actuated cantilever lift mechanism ensures smooth and consistent operation with **variable speed control** for controlled ascent and descent
- Our lifts are designed to withstand severe weather conditions and operate for **more than 30 years** with routine maintenance which consists of regular lubrication of all bearings plus visual inspection of wiring and hydraulic lines for wear and tear
- The closed hydraulic control system requires a routine check of the oil level and normally **does not require any oil changes**
- The mechanical, hydraulic, and electrical systems are self-contained within the frame so **no separate control unit is required**
- All **parts can be purchased directly** from our facility in Ormond Beach, FL
- Regular **preventative maintenance contracts** are available in which your lift will be serviced twice per year

Available Options:

- Weather Shield/Canopy system
- Extended Truck Bridges
- Lateral Track Mobility
- Lower Opening Bridge
- Narrow Truck Bridge
- Narrow Frame
- Platform Stops for off-loading on top of raised platforms
- Hydraulic or Manual Ramp Winch for moving products from ground level up to a dock
- Side Frame Enclosure
- Tow Bar
- Side-Off Ramps (Available on 'B' lengths and longer)
- Upper Level Personnel Restraint Bar
- Smooth Deck
- Flotation Plates for use on asphalt
- Extra Wide Platforms
- Single Phase Power
- 460/480V 3 Phase Power



Standard

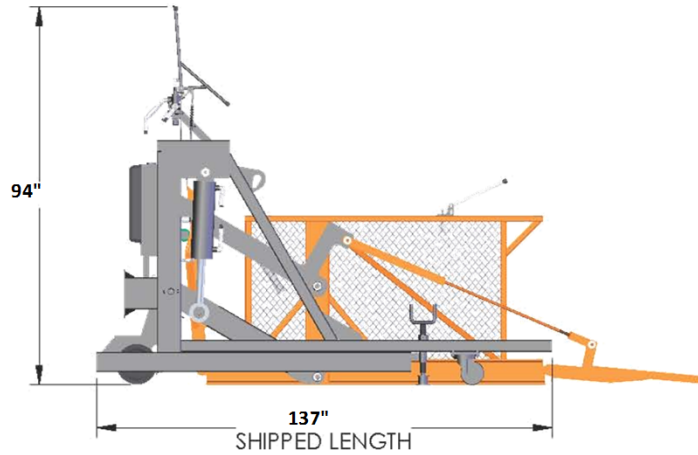
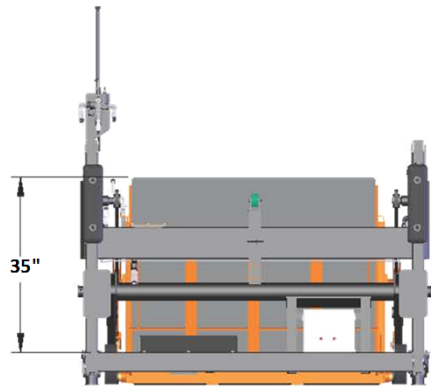
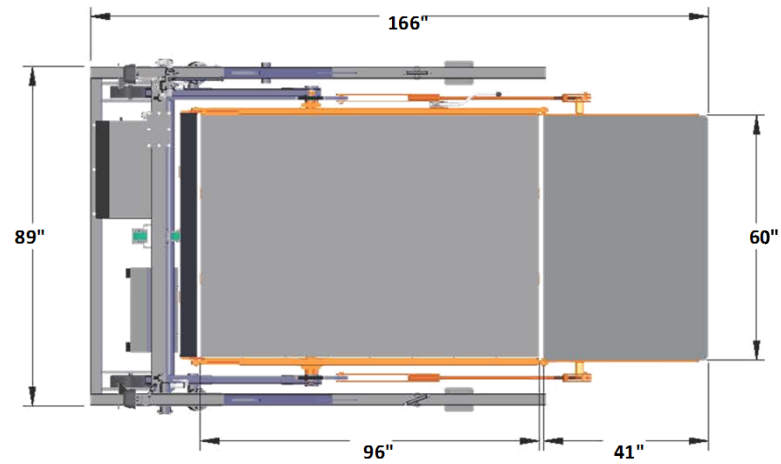


Model No.	Capacity (Pounds)	Motor Rating (HP)	Usable Platform Size W x L (Inches)	Platform Lowered Height Above Pad (Inches)	Minimum Bridge Opening Height Above Pad (Inches)	Maximum Bridge Opening Height Above Pad (Inches)	Overall Length - Ramp Down - (Inches)	Maximum Width (Inches)	Ramp Length (Inches)	Bridge Length (Inches)	Shipped Length (Inches)	Shipping Weight (Pounds)
SL-6000-A	6,000	5	60 x 84	3 5/8	44.5	58.0	154	89.0	41	35	125	3,650

Lift Part Number: SL-6000-A-AFR-SBP-PLP-GA/SS-230V/3Ph

Lift Description: SL-6000-A Speed-Lift - 6000 Pounds Capacity (60" X 84" Platform) with a Standard Bridge - <5" Pad Height/Elevation Difference - configured with a 35" Standard Length Bridge and including 41" Automatic Folding Ramp, Step Bumper Protectors, Ground Anchor System - Core Drill Sleeves - Existing Concrete Pad, 230VAC/3 Phase Power Supply, and Platform Locking Pin

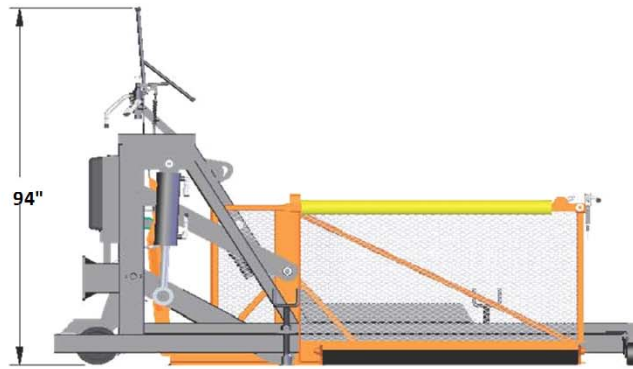
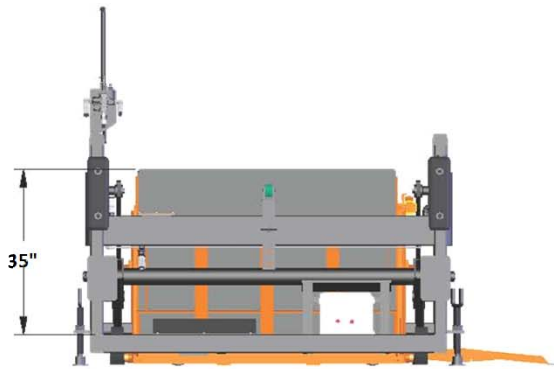
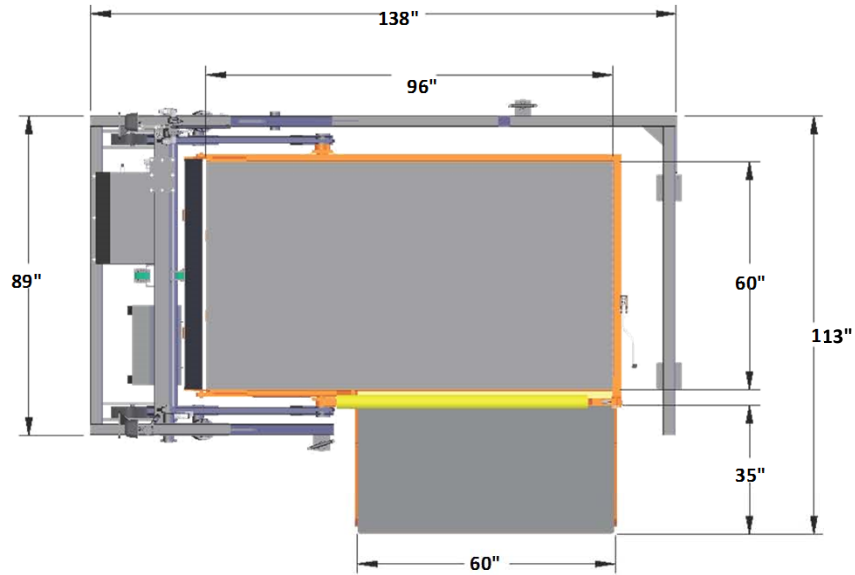
Standard



Model No.	Capacity (Pounds)	Motor Rating (HP)	Usable Platform Size W x L (Inches)	Platform Lowered Height Above Pad (Inches)	Minimum Bridge Opening Height Above Pad (Inches)	Maximum Bridge Opening Height Above Pad (Inches)	Overall Length - Ramp Down - (Inches)	Maximum Width (Inches)	Ramp Length (Inches)	Bridge Length (Inches)	Shipped Length (Inches)	Shipping Weight (Pounds)
SL-6000-B	6,000	5	60 x 96	3 5/8	44.5	58.0	166	89.0	41	35	137	3,825

Lift Part Number: SL-6000-B-AFR-SBP-PLP-GA/SS-230V/3Ph

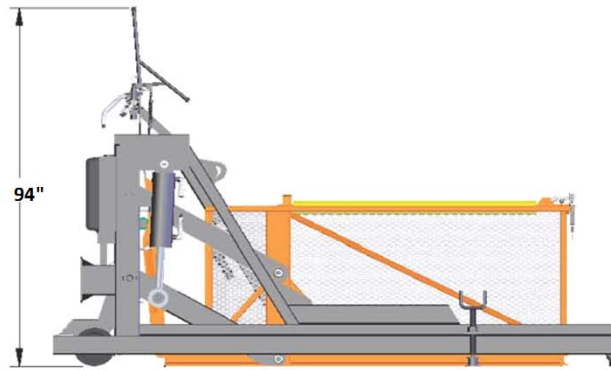
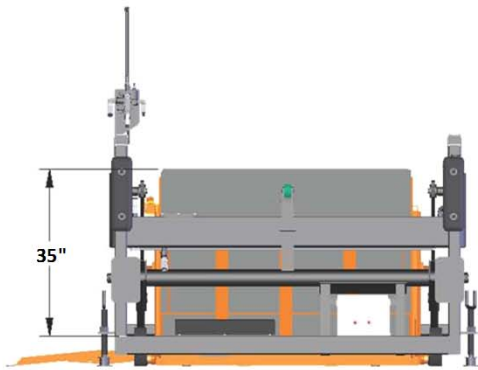
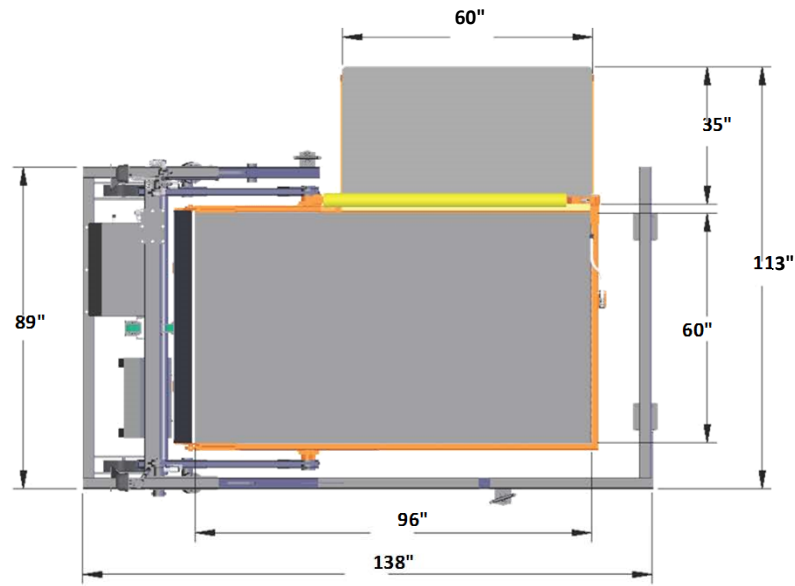
Lift Description: SL-6000-B Speed-Lift - 6000 Pounds Capacity (60" X 96" Platform) with a Standard Bridge - <5" Pad Height/Elevation Difference - configured with a 35" Standard Length Bridge and including 41" Automatic Folding Ramp, Step Bumper Protectors, Ground Anchor System - Core Drill Sleeves - Existing Concrete Pad, 230VAC/3 Phase Power Supply, and Platform Locking Pin



Model No.	Capacity (Pounds)	Motor Rating (HP)	Usable Platform Size W x L (Inches)	Platform Lowered Height Above Pad (Inches)	Minimum Bridge Opening Height Above Pad (Inches)	Maximum Bridge Opening Height Above Pad (Inches)	Overall Width - Ramp Down - (Inches)	Maximum Width (Inches)	Ramp Length (Inches)	Bridge Length (Inches)	Shipped Length (Inches)	Shipping Weight (Pounds)
SL-6000-B	6,000	5	60 x 96	3 5/8	44.5	58.0	113	89	35	35	138	3,825

Lift Part Number: SL-6000-B-SOP-L-PRBCC-SBP-PLP-GA/SS-230V/3Ph

Lift Description: SL-6000-B Speed-Lift - 6000 Pounds Capacity (60" X 96" Platform) with a Standard Bridge - <5" Pad Height/Elevation Difference - configured with a 35" Standard Length Bridge and including 35" Side Off Platform - Left, Personnel Restraint Bar with Cushion Cover, Step Bumper Protectors, Ground Anchor System - Core Drill Sleeves - Existing Concrete Pad, 230VAC/3 Phase Power Supply, and Platform Locking Pin

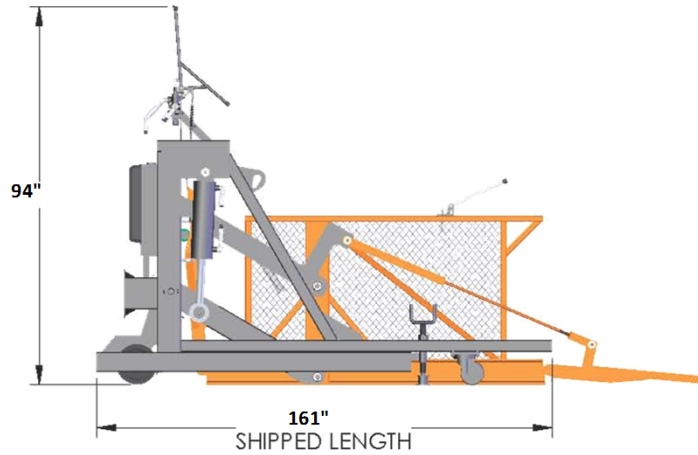
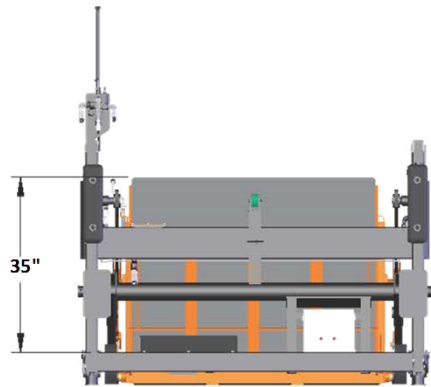
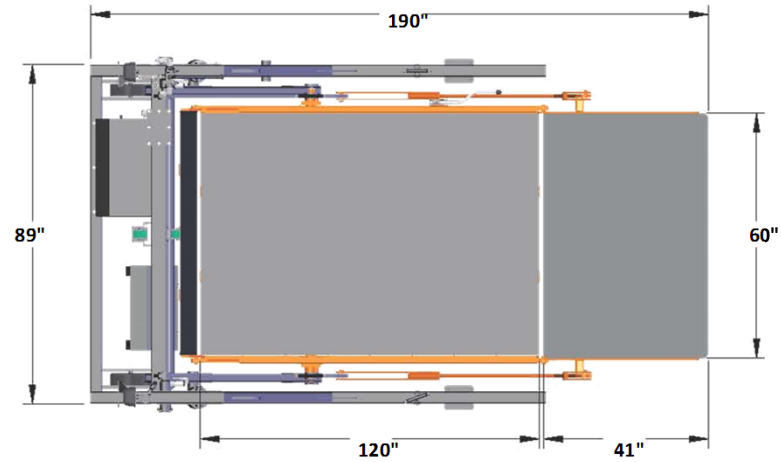


Model No.	Capacity (Pounds)	Motor Rating (HP)	Usable Platform Size W x L (Inches)	Platform Lowered Height Above Pad (Inches)	Minimum Bridge Opening Height Above Pad (Inches)	Maximum Bridge Opening Height Above Pad (Inches)	Overall Width - Ramp Down - (Inches)	Maximum Width (Inches)	Ramp Length (Inches)	Bridge Length (Inches)	Shipped Length (Inches)	Shipping Weight (Pounds)
SL-6000-B	6,000	5	60 x 96	3 5/8	44.5	58.0	113	89	35	35	138	3,825

Lift Part Number: SL-6000-B-SOP-L-PRBCC-SBP-PLP-GA/SS-230V/3Ph

Lift Description: SL-6000-B Speed-Lift - 6000 Pounds Capacity (60" X 96" Platform) with a Standard Bridge - <5" Pad Height/Elevation Difference - configured with a 35" Standard Length Bridge and including 35" Side Off Platform - Left, Personnel Restraint Bar with Cushion Cover, Step Bumper Protectors, Ground Anchor System - Core Drill Sleeves - Existing Concrete Pad, 230VAC/3 Phase Power Supply, and Platform Locking Pin

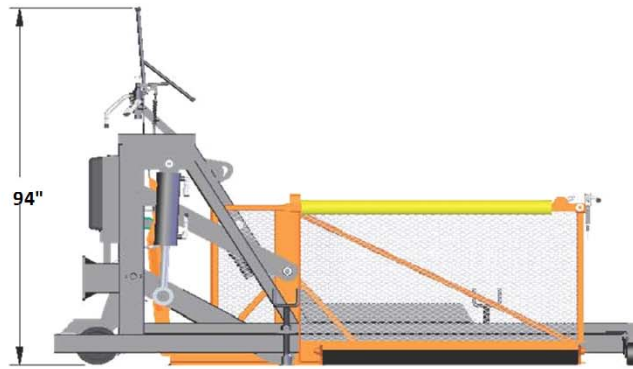
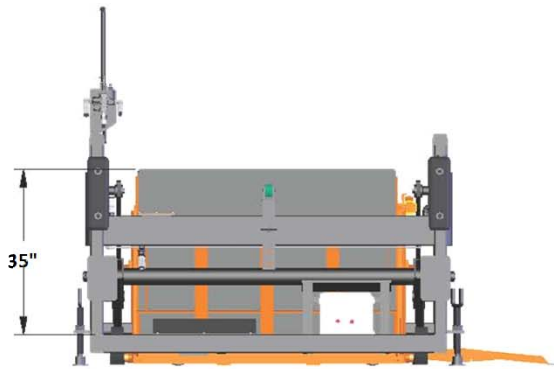
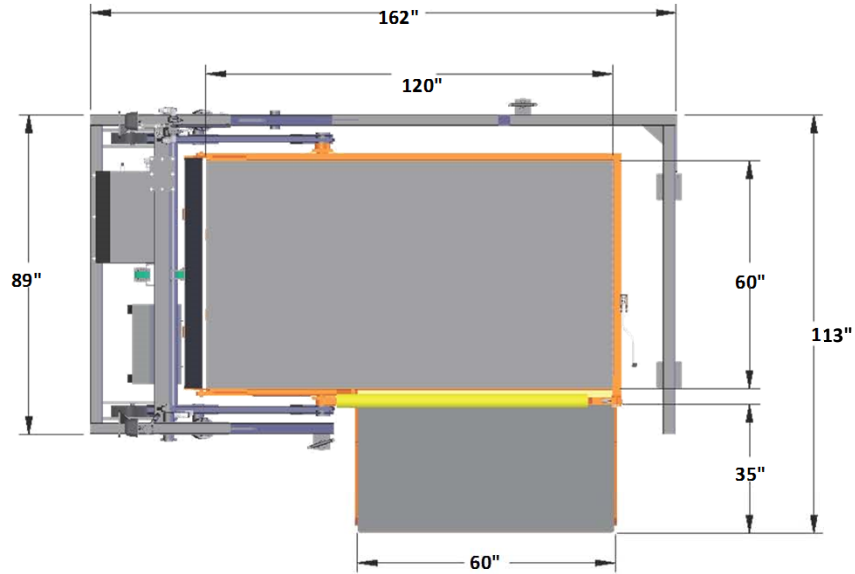
Standard



Model No.	Capacity (Pounds)	Motor Rating (HP)	Usable Platform Size W x L (Inches)	Platform Lowered Height Above Pad (Inches)	Minimum Bridge Opening Height Above Pad (Inches)	Maximum Bridge Opening Height Above Pad (Inches)	Overall Length - Ramp Down - (Inches)	Maximum Width (Inches)	Ramp Length (Inches)	Bridge Length (Inches)	Shipped Length (Inches)	Shipping Weight (Pounds)
SL-6000-C	6,000	5	60 x 120	3 5/8	44.5	58.0	190	89.0	41	35	161	4,150

Lift Part Number: SL-6000-C-AFR-SBP-PLP-GA/SS-230V/3Ph

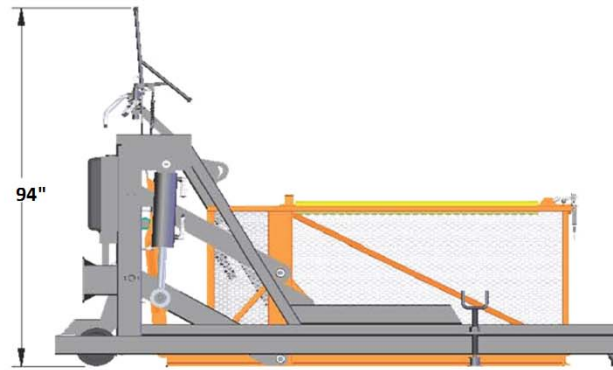
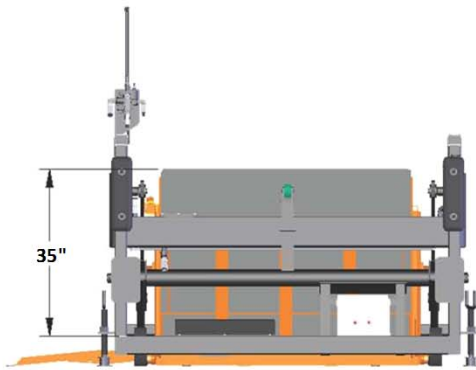
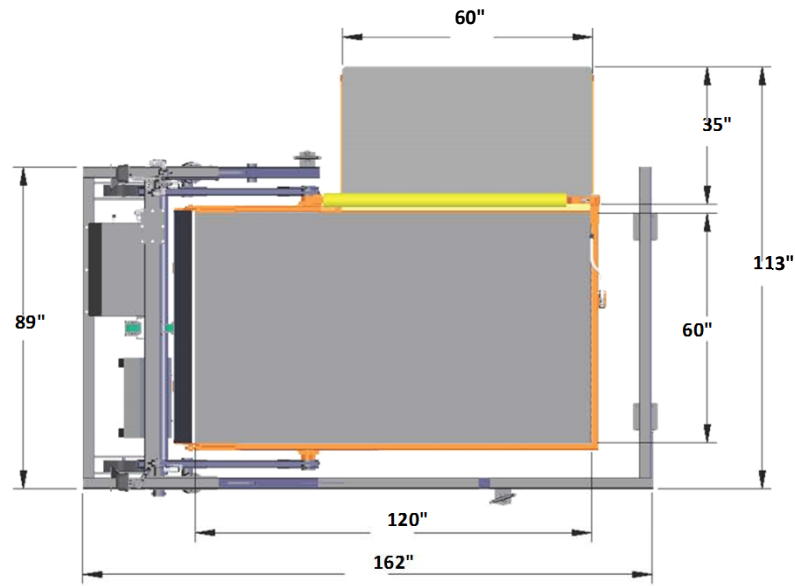
Lift Description: SL-6000-C Speed-Lift - 6000 Pounds Capacity (60" X 120" Platform) with a Standard Bridge - <5" Pad Height/Elevation Difference - configured with a 35" Standard Length Bridge and including 41" Automatic Folding Ramp, Step Bumper Protectors, Ground Anchor System - Core Drill Sleeves - Existing Concrete Pad, 230VAC/3 Phase Power Supply, and Platform Locking Pin



Model No.	Capacity (Pounds)	Motor Rating (HP)	Usable Platform Size W x L (Inches)	Platform Lowered Height Above Pad (Inches)	Minimum Bridge Opening Height Above Pad (Inches)	Maximum Bridge Opening Height Above Pad (Inches)	Overall Width - Ramp Down - (Inches)	Maximum Width (Inches)	Ramp Length (Inches)	Bridge Length (Inches)	Shipped Length (Inches)	Shipping Weight (Pounds)
SL-6000-C	6,000	5	60 x 120	3 5/8	44.5	58.0	113	89	35	35	162	4,150

Lift Part Number: SL-6000-C-SOP-L-PRBCC-SBP-PLP-GA/SS-230V/3Ph

Lift Description: SL-6000-C Speed-Lift - 6000 Pounds Capacity (60" X 120" Platform) with a Standard Bridge - <5" Pad Height/Elevation Difference - configured with a 35" Standard Length Bridge and including 35" Side Off Platform - Left, Personnel Restraint Bar with Cushion Cover, Step Bumper Protectors, Ground Anchor System - Core Drill Sleeves - Existing Concrete Pad, 230VAC/3 Phase Power Supply, and Platform Locking Pin



Model No.	Capacity (Pounds)	Motor Rating (HP)	Usable Platform Size W x L (Inches)	Platform Lowered Height Above Pad (Inches)	Minimum Bridge Opening Height Above Pad (Inches)	Maximum Bridge Opening Height Above Pad (Inches)	Overall Width - Ramp Down - (Inches)	Maximum Width (Inches)	Ramp Length (Inches)	Bridge Length (Inches)	Shipped Length (Inches)	Shipping Weight (Pounds)
SL-6000-C	6,000	5	60 x 120	3 5/8	44.5	58.0	113	89	35	35	162	4,150

Lift Part Number: SL-6000-C-SOP-L-PRBCC-SBP-PLP-GA/SS-230V/3Ph

Lift Description: SL-6000-C Speed-Lift - 6000 Pounds Capacity (60" X 120" Platform) with a Standard Bridge - <5" Pad Height/Elevation Difference - configured with a 35" Standard Length Bridge and including 35" Side Off Platform - Left, Personnel Restraint Bar with Cushion Cover, Step Bumper Protectors, Ground Anchor System - Core Drill Sleeves - Existing Concrete Pad, 230VAC/3 Phase Power Supply, and Platform Locking Pin



8155 Roll & Hold Parkway
Macedonia, OH 44056
330-468-4900

210 Thorn Hill Road
Warrendale, PA 15086
412-856-9253

156 Mesa Drive
St. Albans, WV 25177
304-755-9333



WWW.BURNSLIFT.COM

Date: August 28, 2023
Quote # 8550

West Virginia Correctional Industries
617 Leon Sullivan Way
Charleston, WV 25301

Attn: Mr. Philip Farley

- (1) **1 - (One) Speed Lift Model SL-6000 Dock Lift**
Capacity: 6000 lbs. across entire platform
Axle Capacity Ends: 6,000 lbs.
Axle Capacity Sides: 6,000 lbs.
Platform sizes: A=60" W X 84" L; B=60"W X 96" L; C=60" W X 120" L
Lowered height: 3 5/8"
Motor Size: 5 HP
Cylinder Size: 5"
Travel speed: 41.46 FPM or 7 seconds from truck to ground
Maximum travel height: 58"
Shipping Weight: 3,650 to 4,150 lbs.

Grand Total \$ 46,942.00

Terms: Net 10
F.O.B.: Delivered
Delivery: Will advise

Thank you for this opportunity to quote. We look forward to working with you.

Monty Barnett
Account Manager

Accepted By _____ Date _____

Title _____ Purchase Order _____



STATE OF WEST VIRGINIA
PURCHASING AFFIDAVIT

CONSTRUCTION CONTRACTS: Under W. Va. Code § 5-22-1(i), the contracting public entity shall not award a construction contract to any bidder that is known to be in default on any monetary obligation owed to the state or a political subdivision of the state, including, but not limited to, obligations related to payroll taxes, property taxes, sales and use taxes, fire service fees, or other fines or fees.

ALL CONTRACTS: Under W. Va. Code §15A-3-14, no contract or renewal of any contract may be awarded by the state or any of its political subdivisions to any vendor or prospective vendor when the vendor or prospective vendor or a related party to the vendor or prospective vendor is a debtor and: (1) the debt owed is an amount greater than one thousand dollars in the aggregate; or (2) the debtor is in employer default.

EXCEPTION: The prohibition listed above does not apply where a vendor has contested any tax administered pursuant to chapter eleven of the W. Va. Code, workers' compensation premium, permit fee or environmental fee or assessment and the matter has not become final or where the vendor has entered into a payment plan or agreement and the vendor is not in default of any of the provisions of such plan or agreement.

DEFINITIONS:

"Debt" means any assessment, premium, penalty, fine, tax or other amount of money owed to the state or any of its political subdivisions because of a judgment, fine, permit violation, license assessment, defaulted workers' compensation premium, penalty or other assessment presently delinquent or due and required to be paid to the state or any of its political subdivisions, including any interest or additional penalties accrued thereon.

"Employer default" means having an outstanding balance or liability to the old fund or to the uninsured employers' fund or being in policy default, as defined in W. Va. Code § 23-2c-2, failure to maintain mandatory workers' compensation coverage, or failure to fully meet its obligations as a workers' compensation self-insured employer. An employer is not in employer default if it has entered into a repayment agreement with the Insurance Commissioner and remains in compliance with the obligations under the repayment agreement.

"Related party" means a party, whether an individual, corporation, partnership, association, limited liability company or any other form or business association or other entity whatsoever, related to any vendor by blood, marriage, ownership or contract through which the party has a relationship of ownership or other interest with the vendor so that the party will actually or by effect receive or control a portion of the benefit, profit or other consideration from performance of a vendor contract with the party receiving an amount that meets or exceeds five percent of the total contract amount.

AFFIRMATION: By signing this form, the vendor's authorized signer affirms and acknowledges under penalty of law for false swearing (*W. Va. Code §61-5-3*) that: (1) for construction contracts, the vendor is not in default on any monetary obligation owed to the state or a political subdivision of the state, and (2) for all other contracts, that neither vendor nor any related party owe a debt as defined above and that neither vendor nor any related party are in employer default as defined above, unless the debt or employer default is permitted under the exception above.

WITNESS THE FOLLOWING SIGNATURE:

Vendor's Name: _____

Authorized Signature: _____ Date: _____

State of _____

County of _____, to-wit:

Taken, subscribed, and sworn to before me this ____ day of _____, 20__.

My Commission expires _____, 20__.

AFFIX SEAL HERE

NOTARY PUBLIC _____